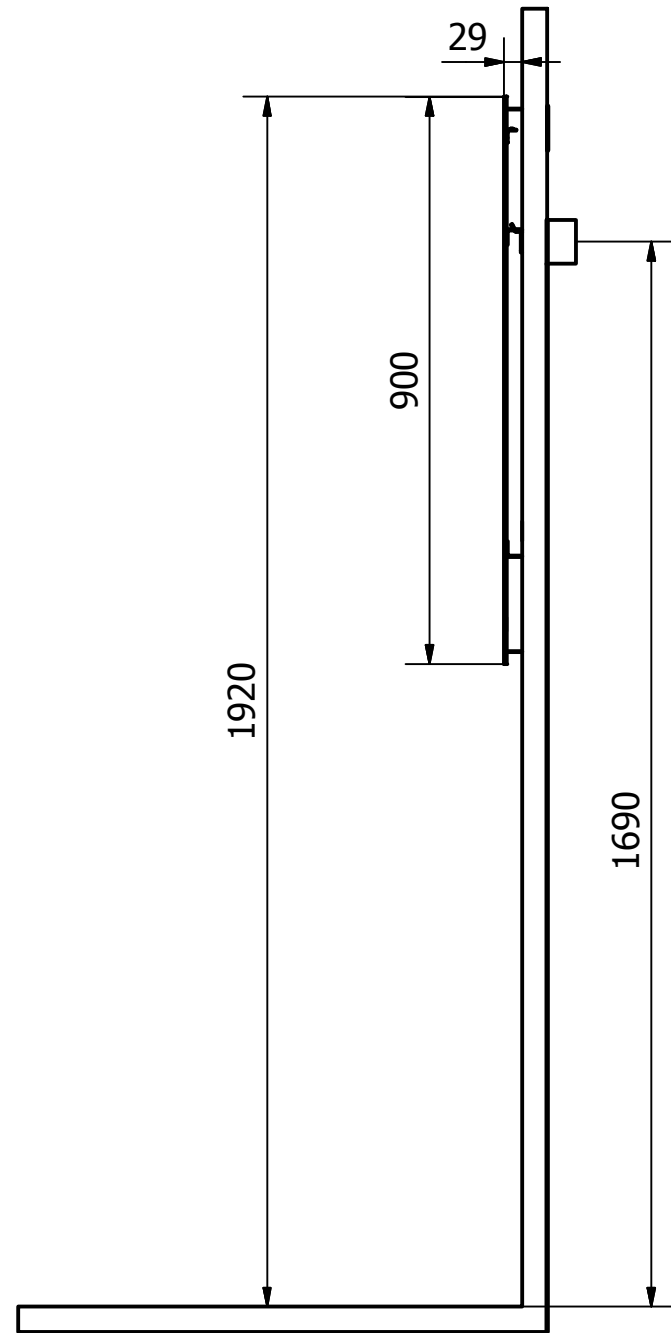
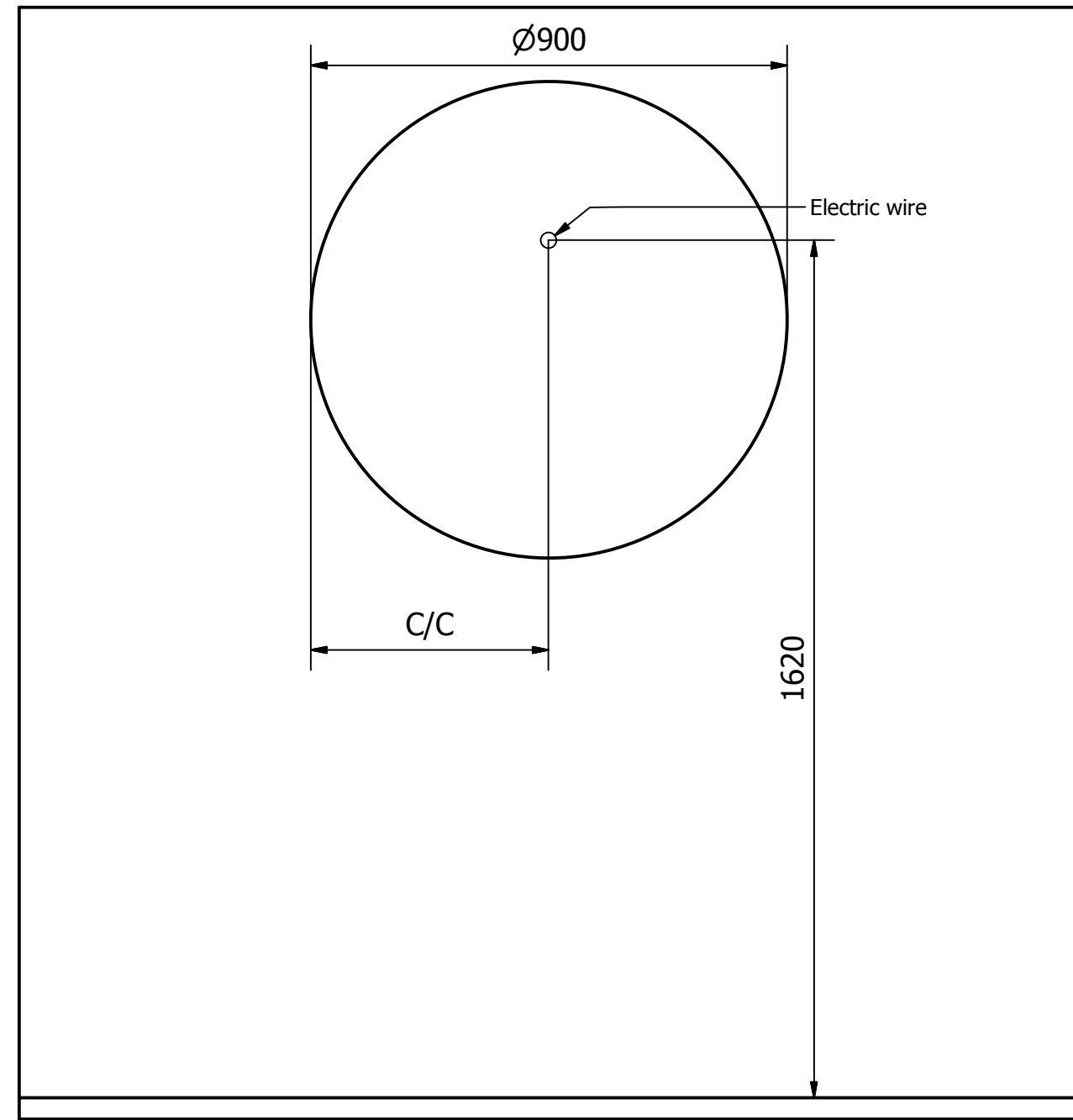


REV	DESCRIPTION	DATE	APPR.
1		2016-12-13	

C-C ( 1:12 )



←C



←C

Material According to agreed specifications				A-surface -----		B-surface .....	
Designed by HEGU	Checked by	Approved by	Appr. Date	General tolerance ISO 2768 c	Weight N/A	Projection 	Scale 1:12
<b>ICONIC NORDIC ROOMS</b> <b>INR</b>			Title/Name Installationsmått__Spegel_Loox_90		Rev. 1	Sheet size A3 Sheet 1 / 1	

This document must not be copied without our written permission and the contents thereof must not be imparted to a third party nor be used for any unauthorized purpose. Contravention will be prosecuted.